

Certification

Kingbull piping systems have certificates from Australia SAI Global, French BV, Spanish AENOR, Swedish SP, Swiss SGS, ISO 9001, ISO 14001, China National Accreditation Service (CNAS) for Kingbull Lab, and other institutes. Kingbull piping products working life is 50 years and Kingbull provides customers 10 years quality warranty.



Contents

Application	1
Product Performance	2
Pipe & Fitting	4
Tool	13
Equipment & Connection	15
Design	20
Sample Projects	33

Best Solution For Building Main Riser And Industrial Piping.

Construction Projects

Excellent mechanical strength and pressure resistance; Reducing water-hammer effect; Resistant to the harsh environment of the construction site; Applicable to public buildings and residential water supply piping system.

Municipal Projects

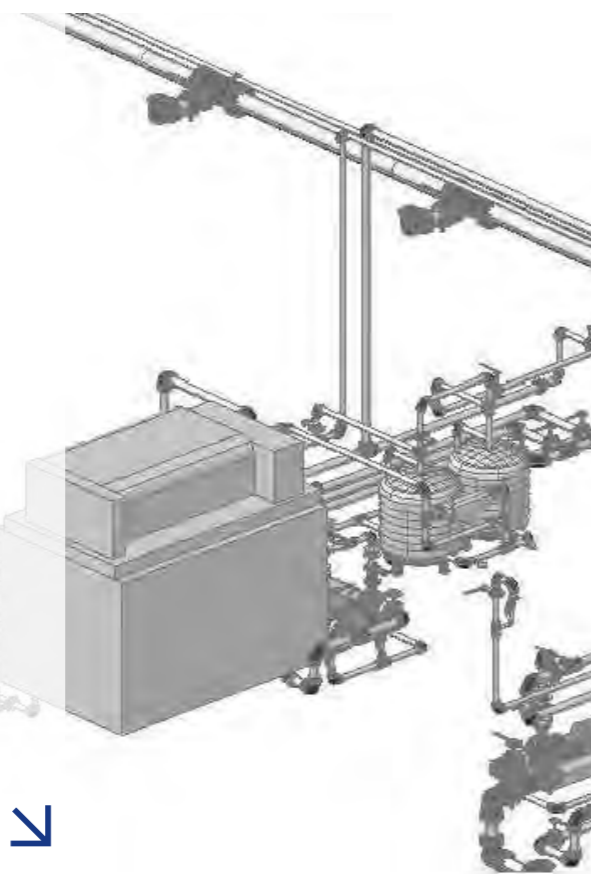
Corrosion resistance and long service life; Can be buried and is detectible by metal detector, Applicable to urban water supply system, gas delivery system and many more

Telecommunication Projects

Build-in steel-layer can effectively shield off external electromagnetic interference; Application to Telecommunication cable sheathing and protective system.

Industrial Projects

Chemical stable and Hygienic; Thermo Fusion connection, safe and reliable; Applicable to Petroleum, Chemical industry, Pharmaceutical, Foodstuff, Mining and many other Industries.



high strength, non-deforming, corrosion-proof, low flow resistance



Products Specifications

The Maximum Working Pressure Of Steel-plastic Composite Pressure Pipes

Nominal outer diameter (mm)	50	63	75	90	110	160
Maximum working pressure (Mpa)	2.5	2.0				

The Physical And Mechanical Properties Of Steel-plastic Composite Pressure Pipe

Nominal outer diameter (mm)	Item	Test temperature / °C	Hydrostatic pressure / Mpa	Test time / h	Minimum burst pressure / Pm
50		80±2	4	165	≥6.0
63					
75					
90					
110					
160					
			5		≥7.5

The Physical And Mechanical Properties Of Double Fusion Fittings

Materials	Specifications	Test Pressure (Mpa)	Test temperature (°C)	Test time (h)	Test times	Indicator
PP-R	dn50- dn160	6.0	20	1	3	No Leakage /crack
		1.3	95	1000		

1. Excellent mechanical strength to pressure resistance.

Working pressure: 2.0MPa, bursting pressure: 6.0MPa.

2. Low expansion coefficient, no sagging or deformation.

3. Excellent corrosion resistance and low flow resistance thanks to inner and outer layer of high-performance High Density Polyethylene.

anticorrosion in internal and external, all-plastic, non-corrosive, advanced joints, completely isolated with the fluid in the pipes, non-channeling of water, non-corrosive.

4. Easy installation and long service life.

Fully sealed connections, steel layer is completely isolated from the fluid in the pipe, safe and hygienic.

