

Diagram 7: Installation diagram of Fire-barrier ring of riser

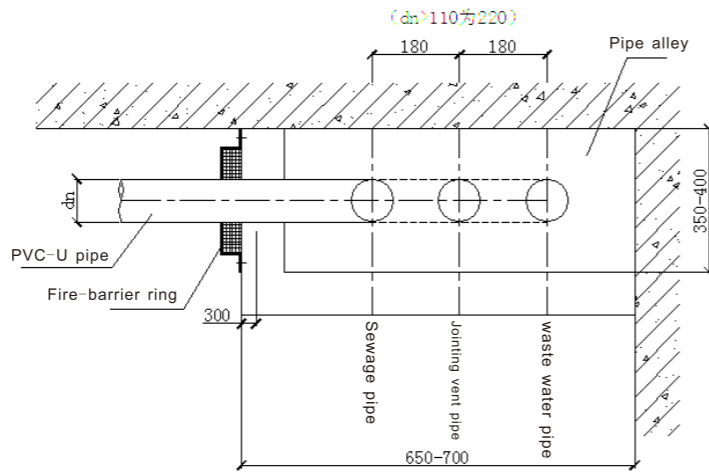


Diagram 8 :Installation diagram of Fire-barrier ring of horizontal pipe

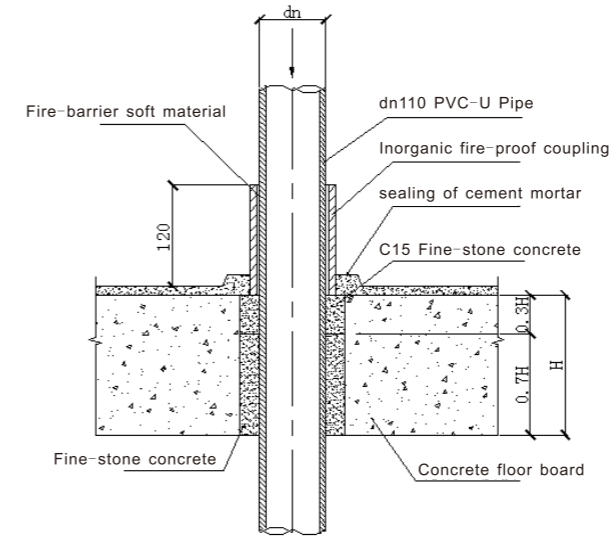


Diagram 11: Installation of Fire-proof Coupling of riser of which $dn \geq 100$ (Style II)

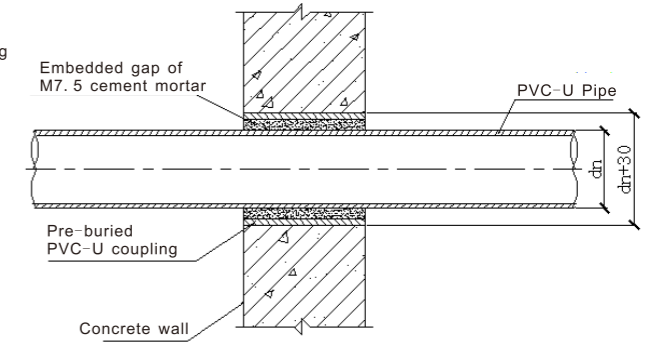


Diagram 12: pipe cross partition wall or brick wall

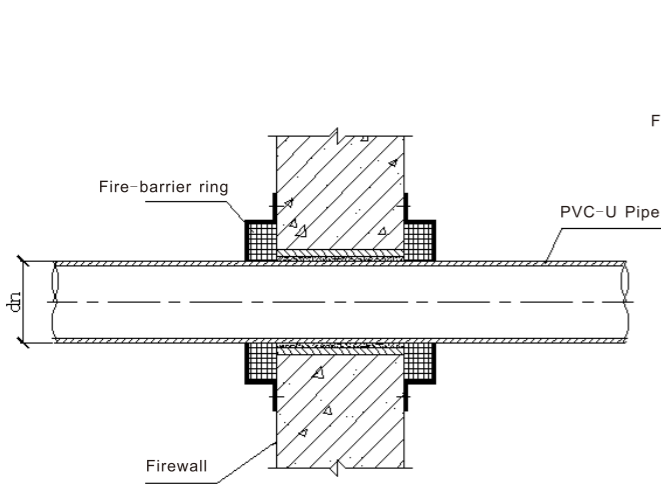


Diagram 9: Installation diagram of Fire-barrier ring of horizontal pipe which cross the firewall

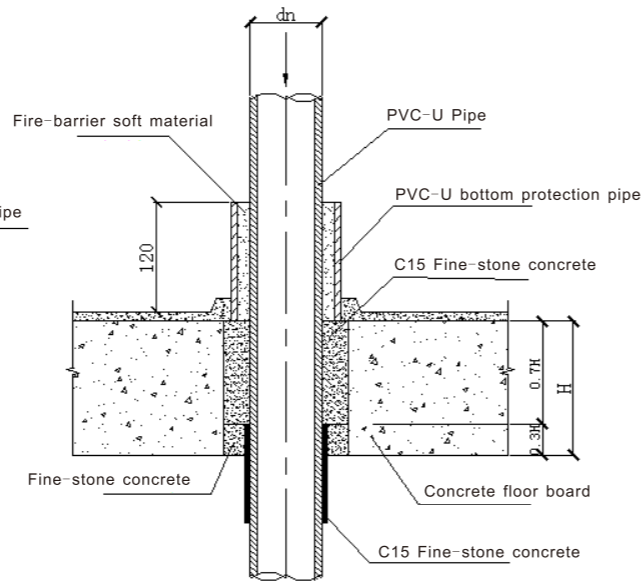


Diagram 10: Installation of Fire-proof Coupling of riser of which $dn \geq 100$ (Style I)

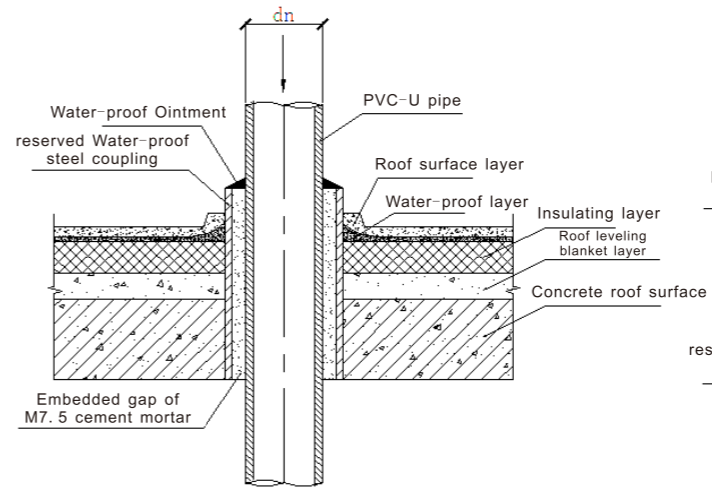


Diagram 13: Pipe Cross The Roof Of Steel-concrete structure

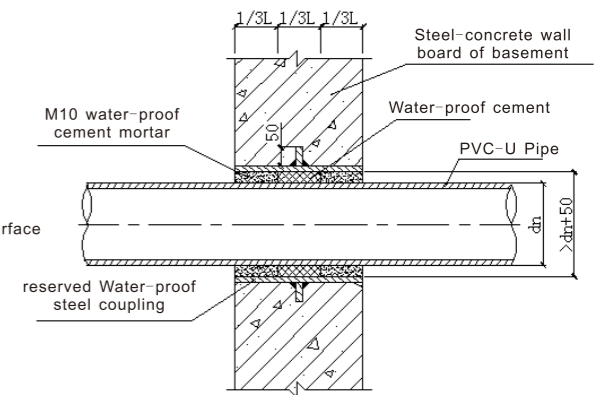


Diagram 14: M10 water-proof cement mortar

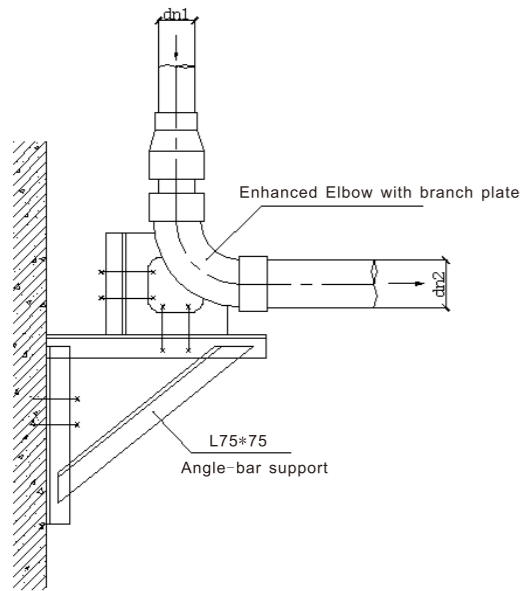


Diagram 15: Turning Of Bottom Of Riser (Style I)

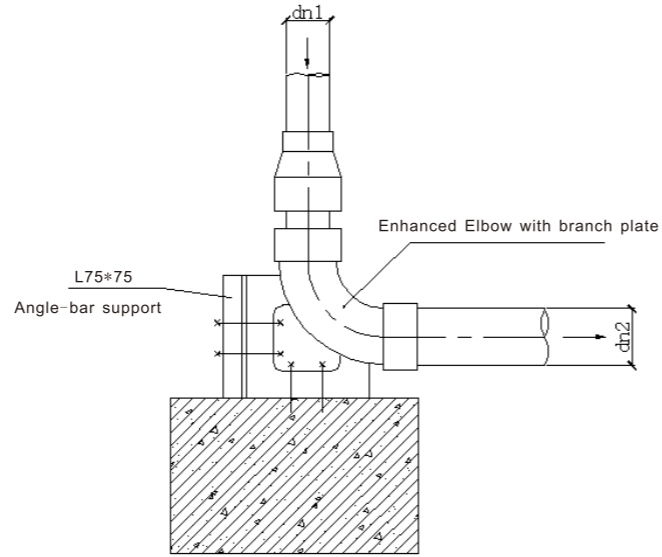


Diagram 16: Turning Of Bottom Of Riser (Style II)

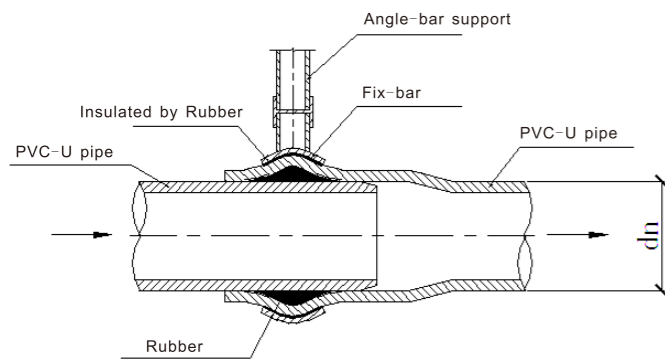


Diagram 17: Installation Of Pipe That $dn \geq 100$ With Elastic Rubber

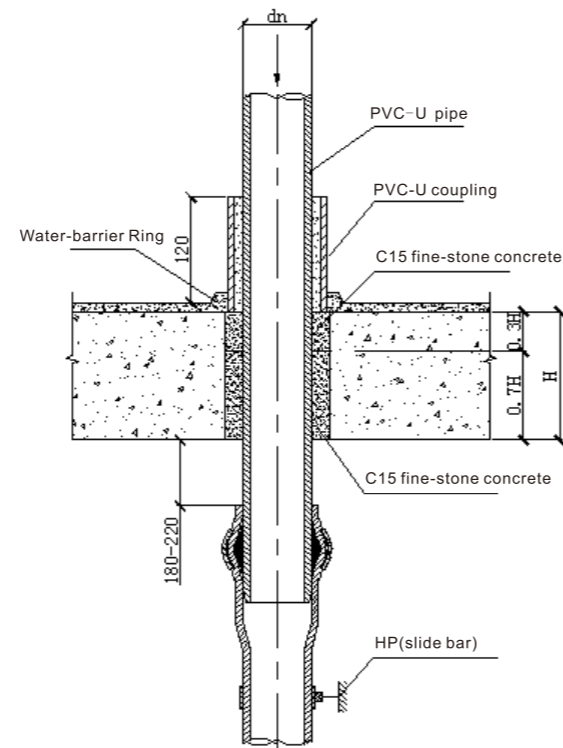


Diagram 18: Installation Of Riser With Elastic Rubber

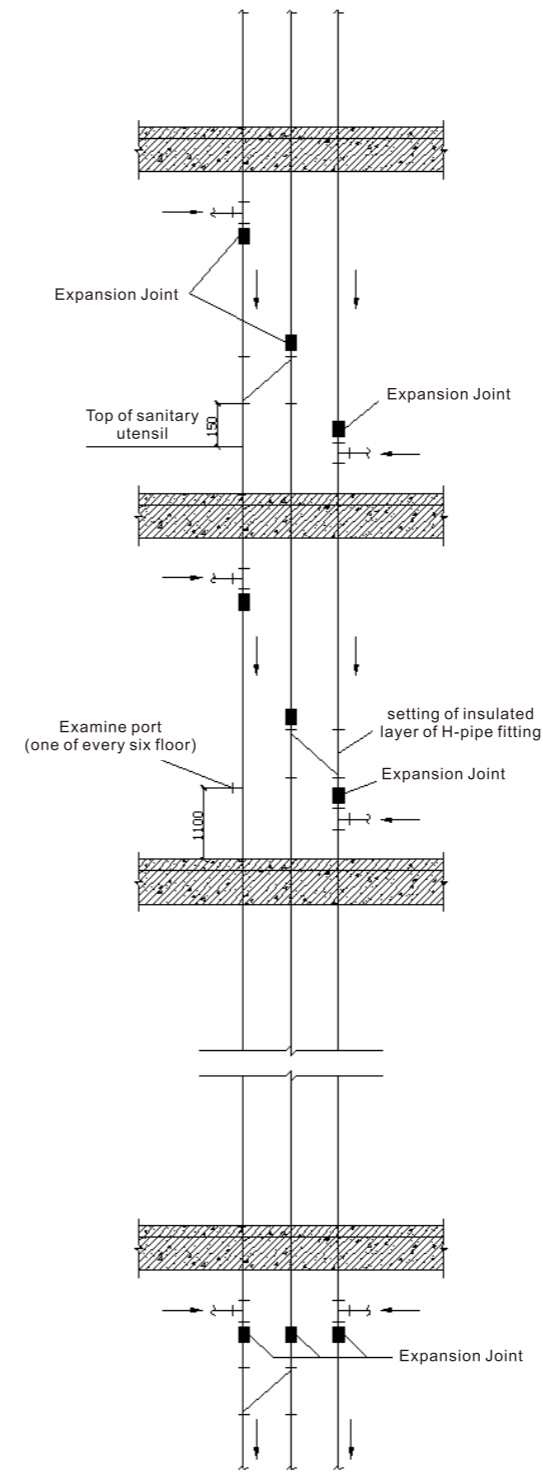


Diagram 19: Installation Of Expansion Joint And H-pipe Of Riser

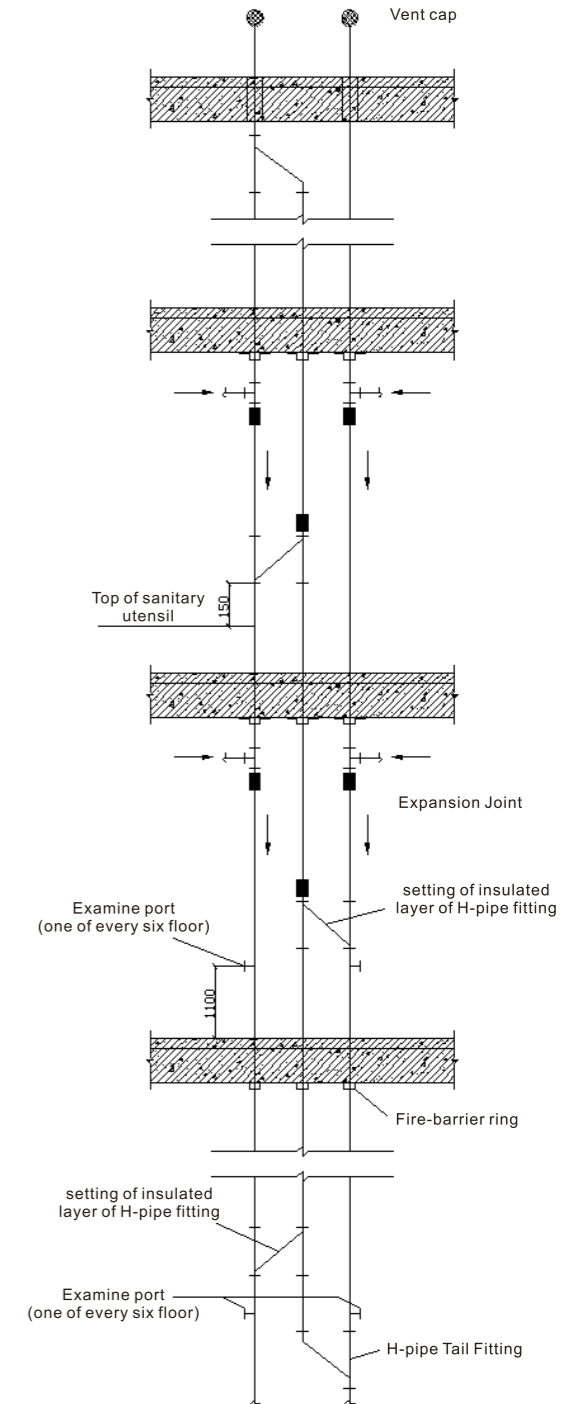


Diagram 20: Unfold Installation System Map Of High Building