

6. Pipe supporting

(1) When diameter of riser no more or equal to 50mm, the length of demounted supporting pipe is 1.2m, when diameter of riser no less or equal to 75mm, the length of demounted supporting pipe is 2.0m. Each floor shall apply at least one clamp.

(2) The distance between each supporting pipe on the linear part of horizontal pipe should not exceed the parameter in the table below:

Diameter (mm)	40	50	75	110	160
Distance (m)	0.8	1.0	1.5	2.0	2.5

(3) The spot of riser that cross the plate of floor should be fixed with supporting, distances between other supportings should no more than 4.0m.

7. Fire-proof Coupling, Fire-barrier ring Of High Building

(1) Riser should better Concealed install inside Pipe well or Pipe alley.

(2) When indoor unfold installation of pipe of which diameter ≥ 110 mm, crossed parts should be applied Fire-proof Coupling or Fire-barrier ring.

(3) When unfold installation Pipe diameter ≥ 110 mm, the part where crossed the well wall, pipe alley should be applied Fire-proof Coupling or Fire-barrier ring Of High Building which length no less than 300mm.

(4) when the pipe which diameter ≥ 110 mm crossed the insulated wall of fire-proof partition, firewall, both sides of wall should be applied Fire-proof Coupling or Fire-barrier ring.

8. The Gasket Joint

(1) Socket connection style must stick to the procedure below:

① Before connection, clean the socket ends of both pipe and fitting.

② Measure the depth of socket and make a mark on the pipe.

③ coat the cement firstly on the socket of fitting, then the pipe evenly and appropriately.

④ Insert the pipe into the fitting till the place where marked with only one step and rotate 1/4 turn.

⑤ wipe the excessive cement from the socket of fitting.

⑥ Do not take the any step until the cement of socket dries.

(2) Cement operating regularity:

① Cement and detergent should use up while opened, personnel only.

② The connection place must not have naked light and should be vent-free

③ The construction should not been done under -10°C and the spot of connection should not be roasted.

④ The constructor should wear goggles while constructing. In case the cement happen to get into eyes, wash with plenty water and go to hospital for further Healing.

9. Construction Atlas:

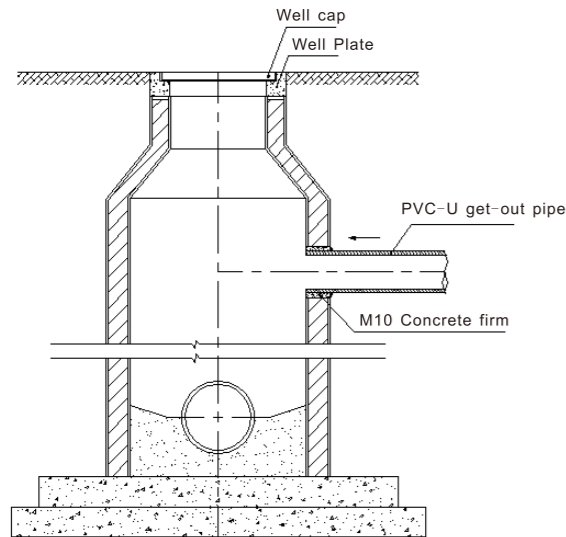


Diagram 1: The connection diagram of sewage pipe and examine well.

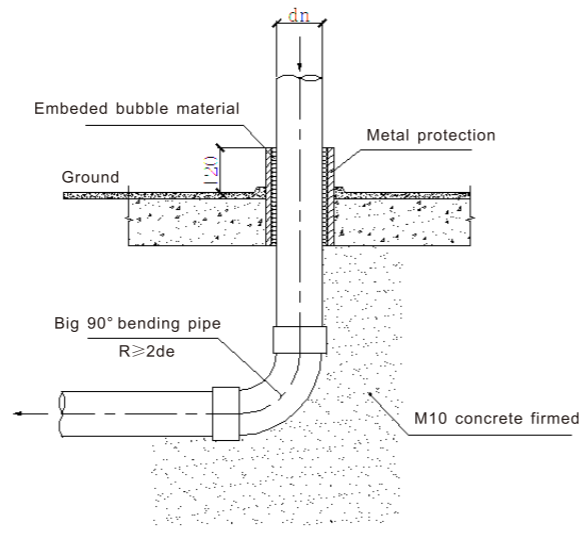


Diagram 2: ground of pipe get crossed multi-floor

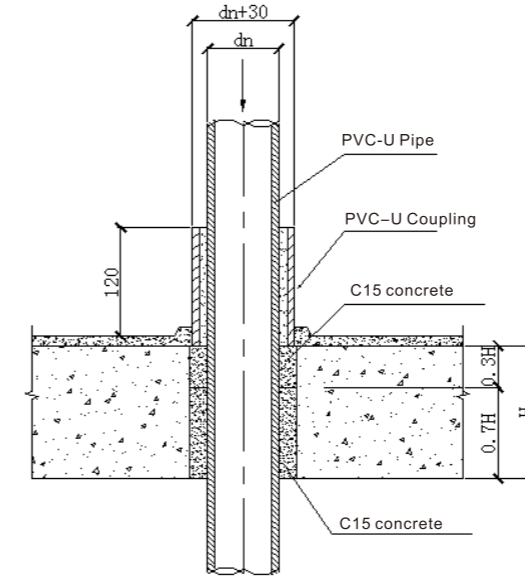


Diagram 3: Floor with pipe crossed

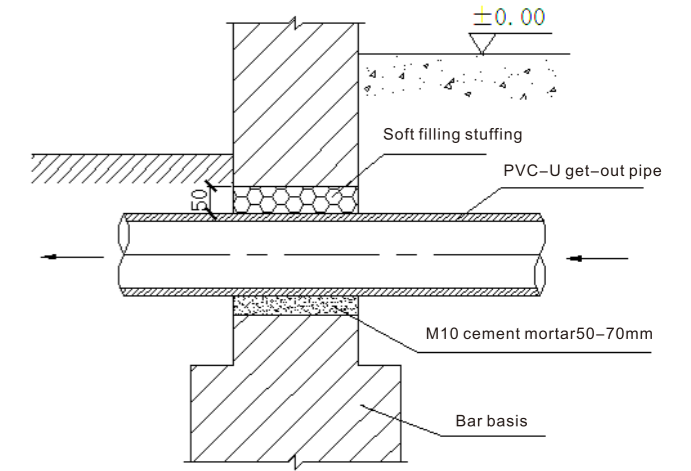


Diagram 4: basis of pipe cross multi-floor

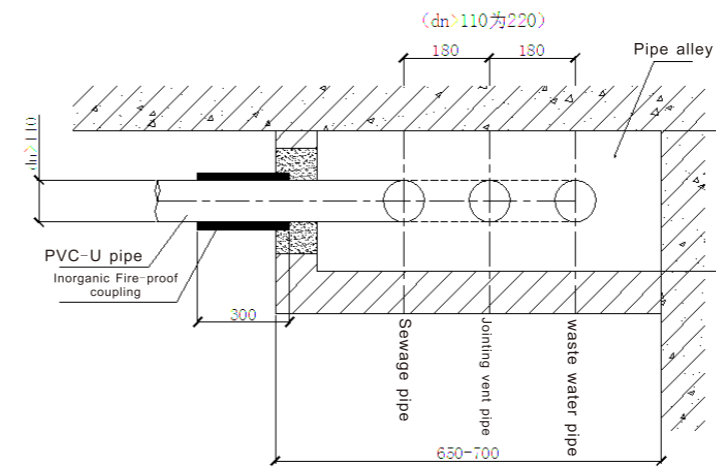


Diagram 5: Fire-proof horizontal Coupling pipe installation that $dn \geq 100$ of high building

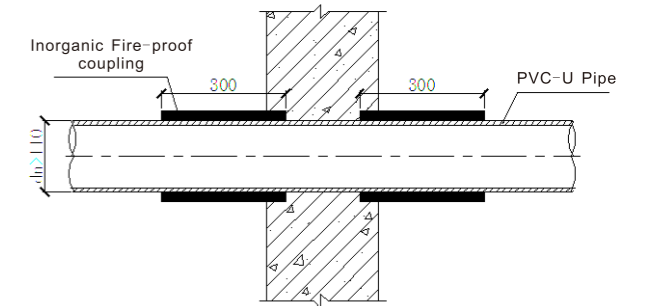


Diagram 6: Fire-proof Coupling pipe which $dn \geq 100$ installation of high building.